

# The next generation of Warming Cabinets



## **D-Series** Data Logging Blanket & Fluid Warming Cabinets

**MADE**  
IN THE **USA**

PH: 866.783.4076  
FX: 888.330.2158  
[www.statmedicalcanada.com](http://www.statmedicalcanada.com)  
[sales@statmedicalcanada.com](mailto:sales@statmedicalcanada.com)

 **statmedical**  
we take care

# the **NEXT** generation of warming cabinets



DWC243074E-G-4B  
(shown with optional Glass Door)

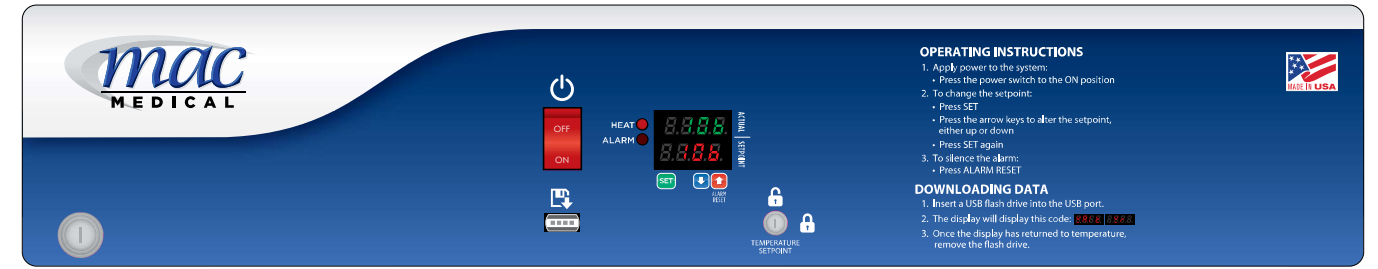
## D-Series Data Logging Blanket & Fluid Warming Cabinets

Stat Medical is proud to announce the arrival of the D-Series (Data Logging) Blanket & Fluid Warming Cabinets. The most user-friendly temperature recording devices on the market today are equipped with independent, digitally controlled heating chambers that offer actual temperature and set point displays. Simple plug and play data requires no additional software. With its sleek new appearance, the D-Series is sure to enhance your facility.

For questions, or to place an order, contact our customer service department



**MADE IN THE USA**



Single Chamber Header Control

### STANDARD FEATURES

- "Easy Log" integrated data logger with removable USB – *now standard!*
- Keyed door lock for single & upper chamber units – *now standard!*
- Adjustable feet – *now standard!*
- Automatically records data every 30 minutes
- Internal storage up to 2 years
- Displays actual temperature and set points at all times
- Independent digitally controlled heating chambers
- Rapid warm time (2-6 hours depending on load)
- Keyed temperature lock out
- Push button digital operation
- Large dual digital displays
- Fully insulated to provide uniform heating
- Audible & visual over-temp alarm
- Remote alarm output

### OPTIONAL FEATURES

- Full view glass door
- Left hand door hinge
- Mobile base
- 220/240V power supply
- Celsius
- Two (2) recessed unit options (see last page for details)
- Seismic braces
- Pass through chamber
- Roll out basket(s) with cool touch handles
- Sloped top
- Keyed door lock for intermediate & lower chamber units
- Custom sizes available

### Warranty

All warming cabinets manufactured by MAC Medical, Inc. will carry a lifetime guarantee against product craftsmanship, one year labor and two year parts guarantee. The factory will service all units without cost to the buyer for one year from shipment. After the one year period, replacement of a defective part (labor) will be at buyer's expense. We will exchange all defective parts at no cost to the buyer for a period of two years from shipment. All defective parts must be returned within 30 days to ensure proper credit. An RMA from Stat Medical must be obtained prior to items return.

### To Download Data

1. Insert supplied USB flash drive into USB slot.
2. Data download will automatically begin.
3. During download display will read:



4. Once the display shows the temperature again, it is safe to remove the flash drive.
5. Data is saved on the flash drive as a .CSV file for easy import into most spreadsheet programs (e.g. Microsoft Excel).
6. Data is secure (no reporting or connection to any network).

### Sample Report

SWC243074 Single, S/N: 062112-D01, 031115

| DATE/TIME       | TEMPERATURE | °C/°F |
|-----------------|-------------|-------|
| 3/10/2015 23:12 | 106         | F     |
| 3/10/2015 23:43 | 106         | F     |
| 3/11/2015 0:12  | 106         | F     |
| 3/11/2015 0:43  | 106         | F     |
| 3/11/2015 1:12  | 106         | F     |



# Single Chamber Units

## Model # SWC151822

### Overall Size

15.5"D x 18"W x 22"H  
(393.7mm x 457.2mm x 558.8mm)  
Optional Adjustable Shelf

### Chamber I.D.

13"D x 14"W x 13"H  
(330.2mm x 355.6mm x 330.2mm)  
1.37 Cubic Feet Storage  
Temperature Range 90°-135° F (Tolerance +/- 1° F)

### Electrical

120V, 2.9 Amp, 50/60 Hz, .23 kWh (Avg.),  
785 BTU/hr (Avg.)

### Approximate Capacity

3-5 Blankets & 9 Solution Bottles (1 Liter Each)



## Model # SWC182424

### Overall Size

20.5"D x 24"W x 24.5"H  
(520.7mm x 609.6mm x 622.3mm)  
1 Adjustable Shelf

### Chamber I.D.

17"D x 20"W x 15.25"H  
(431.8mm x 508mm x 387.3mm)  
3.0 Cubic Feet Storage  
Temperature Range 90°-160° F (Tolerance +/- 1° F)

### Electrical

120V, 2.9 Amp, 50/60 Hz, .23 kWh (Avg.),  
785 BTU/hr (Avg.)

### Approximate Capacity

8-12 Blankets & 20 Solution Bottles (1 Liter Each)



# Single Chamber Units

## Model # SWC183074

### Overall Size

20.5"D x 30"W x 74.5"H  
(520.7mm x 762mm x 1892mm) 2  
Adjustable Shelves, 1 Fixed Shelf

### Chamber I.D.

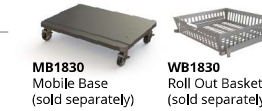
17"D x 26"W x 61"H  
(431.8mm x 660.4mm x 1549mm)  
15.60 Cubic Feet Storage  
Temperature Range 90°-160° F (Tolerance +/- 3° F)

### Electrical

120V, 6.5 Amp, 50/60 Hz, .47 kWh (Avg.),  
1604 BTU/hr (Avg.)

### Approximate Capacity

52-66 Blankets & 105 Solution Bottles (1 Liter Each)



## Model # SWC243074

### Overall Size

26.5"D x 30"W x 74.5"H  
(673.1mm x 762mm x 1892mm) 2  
Adjustable Shelves, 1 Fixed Shelf

### Chamber I.D.

23"D x 26"W x 61"H  
(584.2mm x 660.4mm x 1549mm)  
21.1 Cubic Feet Storage  
Temperature Range 90°-160° F (Tolerance +/- 3° F)

### Electrical

120V, 6.3 Amp, 50/60 Hz, .47 kWh (Avg.),  
1604 BTU/hr (Avg.)

### Approximate Capacity

70-90 Blankets & 143 Solution Bottles (1 Liter Each)



## Model # SWC183024

### Overall Size

20.5"D x 30"W x 24.5"H  
(520.7mm x 762mm x 622.3mm)  
1 Adjustable Shelf

### Chamber I.D.

17"D x 26"W x 15.25"H  
(431.8mm x 660.4mm x 387.3mm)  
3.9 Cubic Feet Storage  
Temperature Range 90°-160° F (Tolerance +/- 1° F)

### Electrical

120V, 6.3 Amp, 50/60 Hz, .45 kWh (Avg.),  
1535 BTU/hr (Avg.)

### Approximate Capacity

9-11 Blankets & 26 Solution Bottles (1 Liter Each)



## Model # SWC243024

### Overall Size

26.5"D x 30"W x 24.5"H  
(673.1mm x 762mm x 622.3mm)  
1 Adjustable Shelf

### Chamber I.D.

23"D x 26"W x 15.25"H  
(584.2mm x 660.4mm x 387.3mm)  
5.27 Cubic Feet Storage  
Temperature Range 90°-160° F (Tolerance +/- 1° F)

### Electrical

120V, 6.3 Amp, 50/60 Hz, .45 kWh (Avg.),  
1535 BTU/hr (Avg.)

### Approximate Capacity

12-15 Blankets & 36 Solution Bottles (1 Liter Each)



# Dual Chamber Units

## Model # DWC182464T

(T = Chambers in Thirds)

### Overall Size

20.5"D x 24"W x 64.75"H  
(520.7mm x 609.6mm x 1645mm)  
7.47 Cubic Feet Storage, 3 Adjustable Shelves

### Upper Chamber I.D.

17"D x 20"W x 13.5"H  
(431.8mm x 508mm x 342.9mm)  
2.65 Cubic Feet Storage  
Temperature Range 90°-160° F (Tolerance +/- 1° F)

### Lower Chamber I.D.

17"D x 20"W x 24.5"H  
(431.8mm x 508mm x 622.3mm)  
4.82 Cubic Feet Storage  
Temperature Range 90°-160° F (Tolerance +/- 2° F)

### Electrical

120V, 8.9 Amp, 50/60 Hz, .65 kWh (Avg.),  
2218 BTU/hr (Avg.)

### Approximate Capacity

14-22 Blankets & 42 Solution Bottles (1 Liter Each)



## Model # DWC183064T

(T = Chambers in Thirds)

### Overall Size

20.5"D x 30"W x 64.75"H  
(520.7mm x 762mm x 1645mm)  
9.72 Cubic Feet Storage, 3 Adjustable Shelves

### Upper Chamber I.D.

17"D x 26"W x 13.5"H  
(431.8mm x 660.4mm x 342.9mm)  
3.45 Cubic Feet Storage  
Temperature Range 90°-160° F (Tolerance +/- 1° F)

### Lower Chamber I.D.

17"D x 26"W x 24.5"H  
(431.8mm x 660.4mm x 622.3mm)  
6.27 Cubic Feet Storage  
Temperature Range 90°-160° F (Tolerance +/- 2° F)

### Electrical

120V, 8.3 Amp, 50/60 Hz, .60 kWh (Avg.),  
2047 BTU/hr (Avg.)

### Approximate Capacity

20-30 Blankets & 54 Solution Bottles (1 Liter Each)



## Model # SWC183036

### Overall Size

20.5"D x 30"W x 36"H  
(520.7mm x 762mm x 914.4mm)  
2 Adjustable Shelves

### Chamber I.D.

17"D x 26"W x 25"H  
(431.8mm x 660.4mm x 635mm)  
6.39 Cubic Feet Storage  
Temperature Range 90°-160° F (Tolerance +/- 2° F)

### Electrical

120V, 5.7 Amp, 50/60 Hz, .45 kWh (Avg.),  
1535 BTU/hr (Avg.)

### Approximate Capacity

22-29 Blankets & 53 Solution Bottles (1 Liter Each)



## Model # SWC243036

### Overall Size

26.5"D x 30"W x 36"H  
(673.1mm x 762mm x 914.4mm)  
2 Adjustable Shelves

### Chamber I.D.

23"D x 26"W x 25"H  
(584.2mm x 660.4mm x 635mm)  
8.65 Cubic Feet Storage  
Temperature Range 90°-160° F (Tolerance +/- 2° F)

### Electrical

120V, 6.3 Amp, 50/60 Hz, .45 kWh (Avg.),  
1535 BTU/hr (Avg.)

### Approximate Capacity

30-40 Blankets & 72 Solution Bottles (1 Liter Each)



## Model # DWC182474T

(T = Chambers in Thirds)

### Overall Size

20.5"D x 24"W x 74.5"H  
(520.7mm x 609.6mm x 1892mm)  
9.44 Cubic Feet Storage, 3 Adjustable Shelves

### Upper Chamber I.D.

17"D x 20"W x 15.25"H  
(431.8mm x 508mm x 387.3mm)  
2.65 Cubic Feet Storage  
Temperature Range 90°-160° F (Tolerance +/- 1° F)

### Lower Chamber I.D.

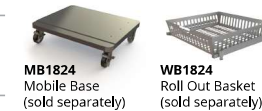
17"D x 20"W x 34.5"H  
(431.8mm x 508mm x 876.3mm)  
6.79 Cubic Feet Storage  
Temperature Range 90°-160° F (Tolerance +/- 2° F)

### Electrical

120V, 8.9 Amp, 50/60 Hz, .65 kWh (Avg.),  
2218 BTU/hr (Avg.)

### Approximate Capacity

20-28 Blankets & 53 Solution Bottles (1 Liter Each)



## Model # DWC183074T

(T = Chambers in Thirds)

### Overall Size

20.5"D x 30"W x 74.5"H  
(520.7mm x 762mm x 1892mm)  
12.27 Cubic Feet Storage, 3 Adjustable Shelves

### Upper Chamber I.D.

17"D x 26"W x 15.25"H  
(431.8mm x 660.4mm x 387.3mm)  
3.45 Cubic Feet Storage  
Temperature Range 90°-160° F (Tolerance +/- 1° F)

### Lower Chamber I.D.

17"D x 26"W x 34.5"H  
(431.8mm x 660.4mm x 876.3mm)  
8.82 Cubic Feet Storage  
Temperature Range 90°-160° F (Tolerance +/- 2° F)

### Electrical

120V, 8.9 Amp, 50/60 Hz, .82 kWh (Avg.),  
2798 BTU/hr (Avg.)

### Approximate Capacity

28-38 Blankets & 66 Solution Bottles (1 Liter Each)



## Model # SWC182464

### Overall Size

20.5"D x 24"W x 64.75"H  
(520.7mm x 609.6mm x 1645mm) 3 Adjustable Shelves

### Chamber I.D.

17"D x 20"W x 49.5"H  
(431.8mm x 508mm x 1257mm)  
9.74 Cubic Feet Storage  
Temperature Range 90°-160° F (Tolerance +/- 1° F)

### Electrical

120V, 6.5 Amp, 50/60 Hz, .47 kWh (Avg.),  
1604 BTU/hr (Avg.)

### Approximate Capacity

40-50 Blankets & 66 Solution Bottles (1 Liter Each)



## Model # SWC183064

### Overall Size

20.5"D x 30"W x 64.75"H  
(520.7mm x 762mm x 1645mm) 3 Adjustable Shelves

### Chamber I.D.

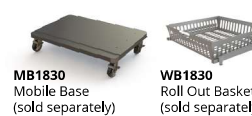
17"D x 26"W x 51"H  
(431.8mm x 660.4mm x 1295mm)  
13.05 Cubic Feet Storage  
Temperature Range 90°-160° F (Tolerance +/- 3° F)

### Electrical

120V, 6.3 Amp, 50/60 Hz, .41 kWh (Avg.),  
1400 BTU/hr (Avg.)

### Approximate Capacity

60-80 Blankets & 89 Solution Bottles (1 Liter Each)





## Dual Chamber Units

### Model # DWC242474T

(T = Chambers in Thirds)

#### Overall Size

26.5"D x 24"W x 74.5"H  
(673.1mm x 609.6mm x 1892mm)  
13.24 Cubic Feet Storage, 3 Adjustable Shelves

#### Upper Chamber I.D.

23"D x 20"W x 15.25"H  
(584.2mm x 508mm x 387.3mm)  
4.06 Cubic Feet Storage  
Temperature Range 90°-160° F (Tolerance +/- 1° F)

#### Lower Chamber I.D.

23"D x 20"W x 34.5"H  
(584.2mm x 508mm x 876.3mm)  
9.18 Cubic Feet Storage  
Temperature Range 90°-160° F (Tolerance +/- 3° F)

#### Electrical

120V, 8.9 Amp, 50/60 Hz, .65 kWh (Avg.),  
3071 BTU/hr (Avg.)

#### Approximate Capacity

25-40 Blankets & 93 Solution Bottles (1 Liter Each)



### Model # DWC243074T

(T = Chambers in Thirds)

#### Overall Size

26.5"D x 30"W x 74.5"H  
(673.1mm x 762mm x 1892mm)  
17.21 Cubic Feet Storage, 3 Adjustable Shelves

#### Upper Chamber I.D.

23"D x 26"W x 15.25"H  
(584.2mm x 660.4mm x 387.3mm)  
5.28 Cubic Feet Storage  
Temperature Range 90°-160° F (Tolerance +/- 1° F)

#### Lower Chamber I.D.

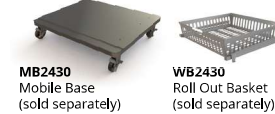
23"D x 26"W x 34.5"H  
(584.2mm x 660.4mm x 876.3mm)  
11.93 Cubic Feet Storage  
Temperature Range 90°-160° F (Tolerance +/- 3° F)

#### Electrical

120V, 12.5 Amp, 50/60 Hz, .90 kWh (Avg.),  
3071 BTU/hr (Avg.)

#### Approximate Capacity

40-55 Blankets & 114 Solution Bottles (1 Liter Each)



### Model # DWC183074E

(E = Equal Chambers)

#### Overall Size

20.5"D x 30"W x 74.5"H  
(520.7mm x 762mm x 1892mm)  
13.04 Cubic Feet Storage, 4 Adjustable Shelves

#### Upper Chamber I.D.

17"D x 26"W x 25"H  
(431.8mm x 660.4mm x 635mm)  
6.39 Cubic Feet Storage  
Temperature Range 90°-160° F (Tolerance +/- 2° F)

#### Lower Chamber I.D.

17"D x 26"W x 26"H  
(431.8mm x 660.4mm x 660.4mm)  
6.65 Cubic Feet Storage  
Temperature Range 90°-160° F (Tolerance +/- 2° F)

#### Electrical

120V, 11.4 Amp, 50/60 Hz, .82 kWh (Avg.),  
2798 BTU/hr (Avg.)

#### Approximate Capacity

44-59 Blankets & 74 Solution Bottles (1 Liter Each)



### Model # DWC243074E

(E = Equal Chambers)

#### Overall Size

26.5"D x 30"W x 74.5"H  
(673.1mm x 762mm x 1892mm)  
17.64 Cubic Feet Storage, 4 Adjustable Shelves

#### Upper Chamber I.D.

23"D x 26"W x 25"H  
(584.2mm x 660.4mm x 635mm)  
8.65 Cubic Feet Storage  
Temperature Range 90°-160° F (Tolerance +/- 2° F)

#### Lower Chamber I.D.

23"D x 26"W x 26"H  
(584.2mm x 660.4mm x 660.4mm)  
8.99 Cubic Feet Storage  
Temperature Range 90°-160° F (Tolerance +/- 2° F)

#### Electrical

120V, 12.5 Amp, 50/60 Hz, .90 kWh (Avg.),  
3071 BTU/hr (Avg.)

#### Approximate Capacity

60-80 Blankets & 101 Solution Bottles (1 Liter Each)



## Triple Chamber Units

### Model # TWC183078

#### Overall Size

20.5"D x 30"W x 78.75"H  
(520.7mm x 762mm x 2000mm)  
10.36 Cubic Feet Storage, 1 Adjustable Shelf

#### Upper Chamber I.D.

17"D x 26"W x 11.25"H  
(431.8mm x 660.4mm x 285.7mm)  
2.88 Cubic Feet Storage  
Temperature Range 90°-110° F (Tolerance +/- 1° F)

#### Intermediate Chamber I.D.

17"D x 26"W x 10.75"H  
(431.8mm x 660.4mm x 273mm)  
2.75 Cubic Feet Storage  
Temperature Range 90°-135° F (Tolerance +/- 1° F)

#### Lower Chamber I.D.

17"D x 26"W x 18.5"H  
(431.8mm x 660.4mm x 469.9mm)  
4.73 Cubic Feet Storage  
Temperature Range 90°-160° F (Tolerance +/- 1° F)

#### Electrical

120V, 12.9 Amp, 50/60 Hz, .90 kWh (Avg.),  
3071 BTU/hr (Avg.)

#### Approximate Capacity

22-29 Blankets & 55 Solution Bottles (1 Liter Each)



### Model # TWC243078

#### Overall Size

26.5"D x 30"W x 78.75"H  
(673.1mm x 762mm x 2000mm)  
14.01 Cubic Feet Storage, 1 Adjustable Shelf

#### Upper Chamber I.D.

23"D x 26"W x 11.25"H  
(584.2mm x 660.4mm x 285.7mm)  
3.89 Cubic Feet Storage  
Temperature Range 90°-110° F (Tolerance +/- 1° F)

#### Intermediate Chamber I.D.

23"D x 26"W x 10.75"H  
(584.2mm x 660.4mm x 273mm)  
3.72 Cubic Feet Storage  
Temperature Range 90°-135° F (Tolerance +/- 1° F)

#### Lower Chamber I.D.

23"D x 26"W x 18.5"H  
(584.2mm x 660.4mm x 469.9mm)  
6.4 Cubic Feet Storage  
Temperature Range 90°-160° F (Tolerance +/- 1° F)

#### Electrical

120V, 12.9 Amp, 50/60 Hz, .90 kWh (Avg.),  
3071 BTU/hr (Avg.)

#### Approximate Capacity

30-40 Blankets & 75 Solution Bottles (1 Liter Each)



## Warming Cabinet Options

#### Door Types

- Stainless Steel (Standard)
- Glass

#### Door Hinges

- Right (Standard)
- Left

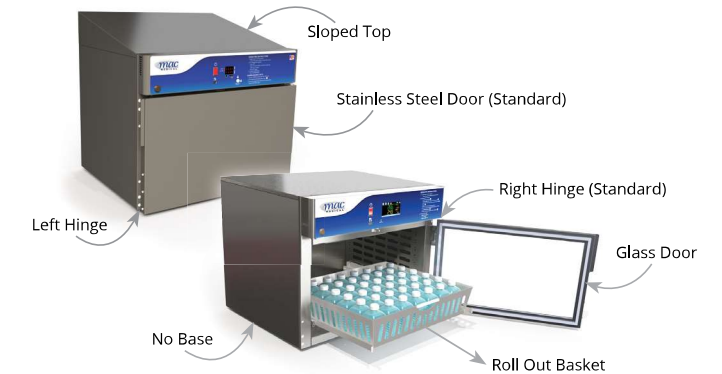
#### Base Styles

- 2" (not available for SWC151822)
- 4" (not available for SWC151822)
- 6" (not available for SWC151822)
- No Base
- Mobile Base

#### Other Options

- 220/240V Power Supply
- Celsius
- Two (2) Recessed Unit
- Options: R1 = Insulation Wrap, No Top Panel, No Side Panels, and No Trim Kit  
R2 = Top Panel, Side Panels, and Trim Kit
- Seismic Braces
- Roll Out Basket(s)
- Pass Through Chamber
- Sloped Top (not available for SWC151822)
- Intermediate Chamber Door Lock (only available for Triple Chamber Units)
- Lower Chamber Door Lock (only available for Dual and Triple Chamber Units)

Note: Additional shelves may also be purchased



## How to Order

| Model #      | Overall Size               | Chambers | Door Type                               | Door Hinge                     | Base Style                        | Other Options  |
|--------------|----------------------------|----------|---|--------------------------------|-----------------------------------|--|
| SWC151822    | 15.5" D x 18" W x 22" H    | Single   | G = Glass Door                          | LH = Left Hinge                | † 2B = 2" Base                    | 220 = 220/240V Power Supply  |
| SWC182424    | 20.5" D x 24" W x 24.5" H  | Single   | Blank = Stainless Steel Door (Standard) | Blank = Right Hinge (Standard) | † 4B = 4" Base                    | C = Celsius  |
| SWC242424    | 26.5" D x 24" W x 24.5" H  | Single   |   |                                | † 6B = 6" Base                    | R1 = Recessed Unit with Insulation Wrap, No Top Panel, No Side Panels, and No Trim Kit |
| SWC183024    | 20.5" D x 30" W x 24.5" H  | Single   | Blank = Stainless Steel Door (Standard) | Blank = Right Hinge (Standard) | NB = No Base                      | R2 = Recessed Unit with Top Panel, Side Panels, and Trim Kit                           |
| SWC243024    | 26.5" D x 30" W x 24.5" H  | Single   |   |                                | MB = Mobile Base                  | SB = Seismic Braces  |
| SWC183036    | 20.5" D x 30" W x 36" H    | Single   |   |                                | WB = Roll Out Basket              | P = Pass Through Chamber   |
| SWC243036    | 26.5" D x 30" W x 36" H    | Single   |   |                                | † ST = Sloped Top                 | † † IDL = Intermediate Chamber Door Lock   |
| SWC182464    | 20.5" D x 24" W x 64.75" H | Single   |   |                                | † † LDL = Lower Chamber Door Lock |  |
| SWC242464    | 26.5" D x 24" W x 64.75" H | Single   |   |                                |                                   |  |
| SWC183064    | 20.5" D x 30" W x 64.75" H | Single   |   |                                |                                   |  |
| SWC243064    | 26.5" D x 30" W x 64.75" H | Single   |   |                                |                                   |  |
| SWC183074    | 20.5" D x 30" W x 74.5" H  | Single   |   |                                |                                   |  |
| SWC243074    | 26.5" D x 30" W x 74.5" H  | Single   |   |                                |                                   |  |
| DWC182464T*  | 20.5" D x 24" W x 64.75" H | Dual     |   |                                |                                   |  |
| DWC242464T*  | 26.5" D x 24" W x 64.75" H | Dual     |   |                                |                                   |  |
| DWC183064T*  | 20.5" D x 30" W x 64.75" H | Dual     |   |                                |                                   |  |
| DWC243064T*  | 26.5" D x 30" W x 64.75" H | Dual     |   |                                |                                   |  |
| DWC182474T*  | 20.5" D x 24" W x 74.5" H  | Dual     |   |                                |                                   |  |
| DWC242474T*  | 26.5" D x 24" W x 74.5" H  | Dual     |   |                                |                                   |  |
| DWC183074T*  | 20.5" D x 30" W x 74.5" H  | Dual     |   |                                |                                   |  |
| DWC243074T*  | 26.5" D x 30" W x 74.5" H  | Dual     |   |                                |                                   |  |
| DWC183074E** | 20.5" D x 30" W x 74.5" H  | Dual     |   |                                |                                   |  |
| DWC243074E** | 26.5" D x 30" W x 74.5" H  | Dual     |   |                                |                                   |  |
| TWC183078    | 20.5" D x 30" W x 78.75" H | Triple   |   |                                |                                   |  |
| TWC243078    | 26.5" D x 30" W x 78.75" H | Triple   |   |                                |                                   |  |

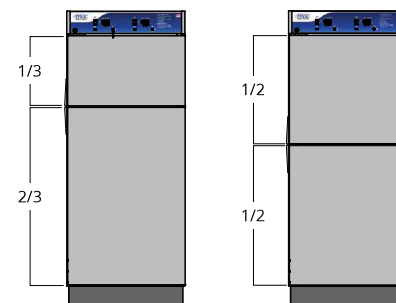
\* † Not available for SWC151822

\*\* Only available for Triple Chamber Units

†† Only available for Dual and Triple Chamber Units

\* T = Chambers in Thirds

\*\* E = Equal Chambers



**Example 1:** Model # SWC182464, Glass Door, Left Hinge, Mobile Base, Sloped Top = Order Model # SWC182464-G-LH-MB-ST

**Example 2:** Model # DWC243074E, Stainless Steel Door, Right Hinge, 4" Base, Celsius, Lower Chamber Door Lock = Order Model # DWC243074E-4B-C-LDL

Note: Due to the vast number of sizes we have available, not all our models are shown. Please let us know your specific dimensions to get the model that will best suit your needs. If we don't currently have the size you need, we can custom build one for you!

