

TMM3

VFSS STRETCHER-CHAIR

TMM SERIES



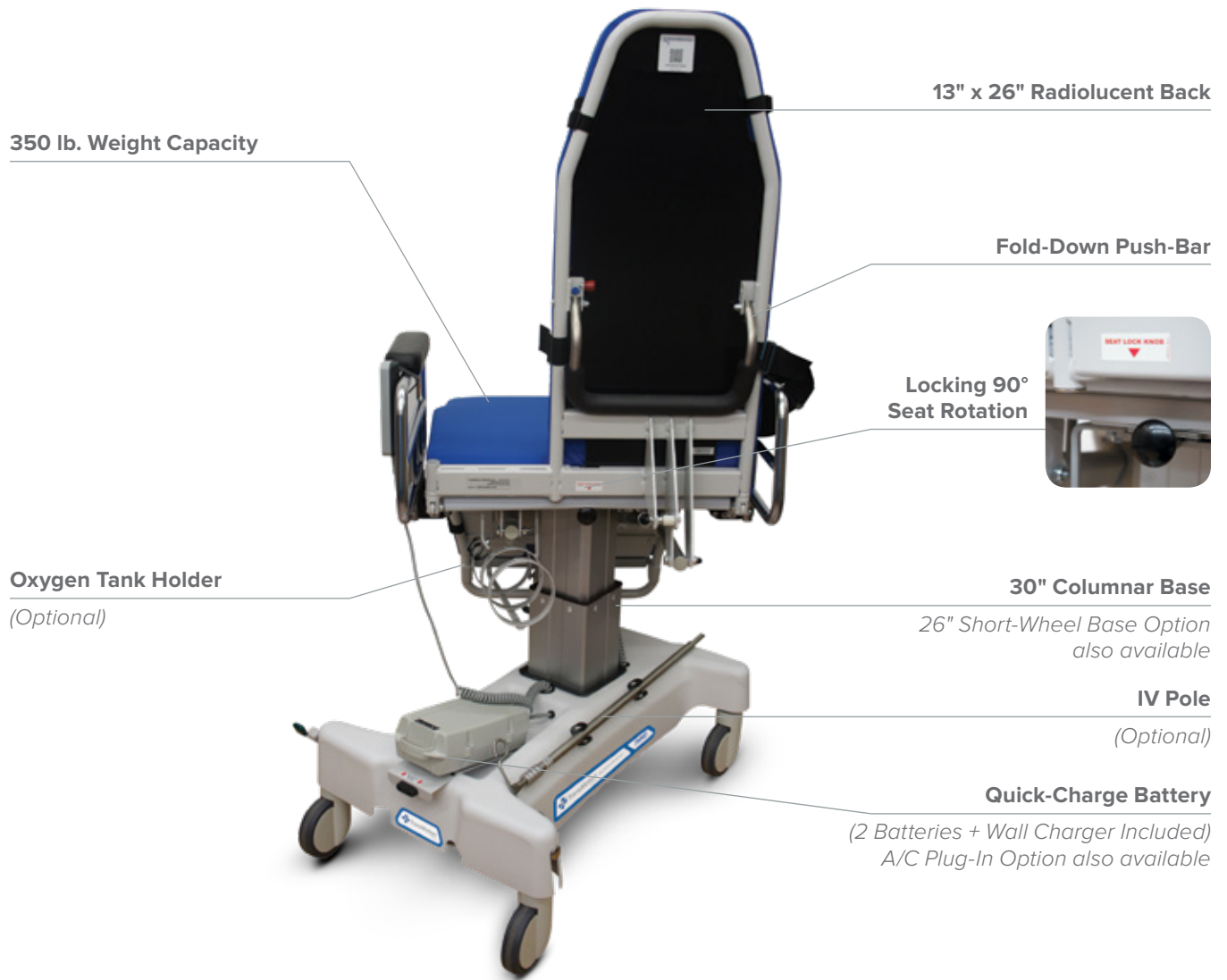
Minimize Transfers, Maximize Safety

The TMM3 Video Fluoroscopy Swallow Study (VFSS) Stretcher-Chair features powered patient positioning designed specifically to perform Barium Swallow Studies. Its 90° rotating seat eliminates transfers by allowing patients to remain in-chair for both Lateral and A/P imaging. Powered back, leg and height adjustments eliminate hydraulic, pneumatic or manual positioning and allow for effortless conversion from chair to stretcher. The TMM3 is a procedure chair, transport device and stretcher all in one!

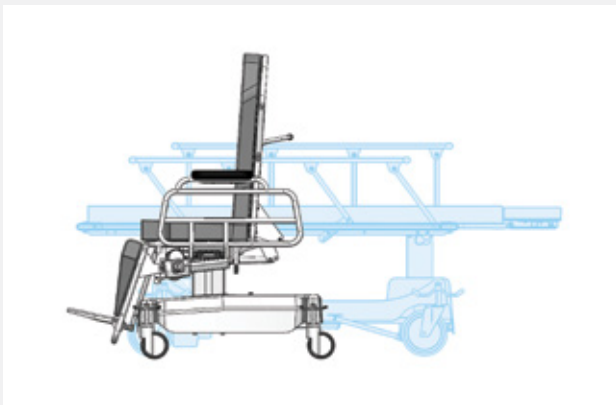
ONE PATIENT, ONE SURFACE®

 **TransMotion**
by Winco

ANATOMY OF A TMM3 STRETCHER-CHAIR



SPACE-SAVING FOOTPRINT



In the seated position, the TMM3 requires half the space of a traditional stretcher and is easy to navigate through hallways, rooms, elevators and other close quarters. Its small footprint frees-up floor space so units can be available for patients as well as enabling more efficient storage.



TMM3 STRETCHER-CHAIR

TMM SERIES

Removable Back Extension

(Optional)

3 Patient Belts

(Head, Torso & Leg Included)

Push-Button Pendant

Swing & Tuck Side Rails



Manual Quick Release Back

Upholstered Memory Foam Cushions

Available in Sure-Check® Fusion Fabric or Healthcare-Grade Vinyl

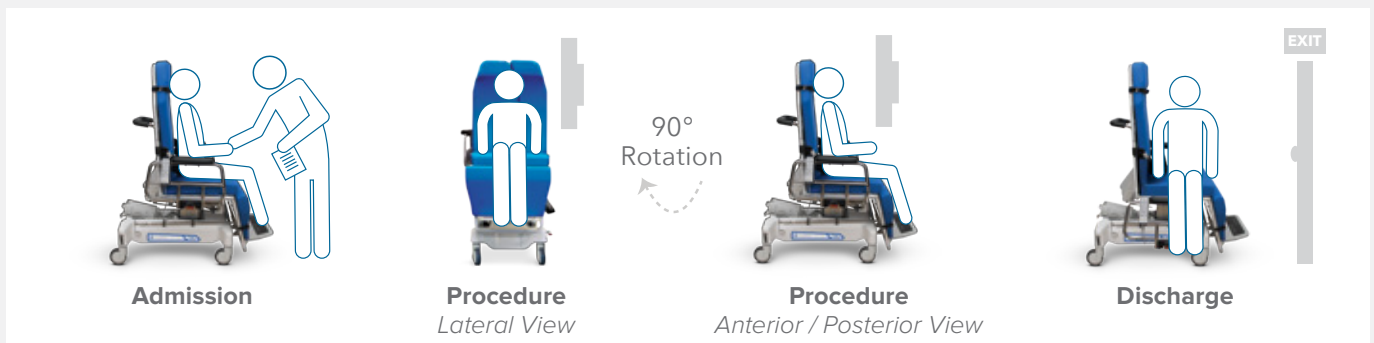
Auto-Extending Footrest

Manual Folding Footrest Option also available

Brake & Steer Caster System



ONE PATIENT, ONE SURFACE® FROM ADMISSION TO DISCHARGE



Reducing patient transfers increases patient throughput while decreasing the likelihood of incurring costs associated with staff injury and worker's compensation claims.

ALTERNATE CONFIGURATION OPTIONS



Short (26") Wheel Base (S)

recommended for R/F towers with steel plates mounted to the floor



Export Plug-In (E)



A/C Plug-In (A)

120v / 60Hz A/C power with on-board charger & internal batteries

SUGGESTED ACCESSORIES



Back Extension

(TMA13-15)



IV Pole

(TMA03-15)



Oxygen Tank Holder

(TMA04-15)

TRANSMOTION BY WINCO LIMITED WARRANTY



Optional Extended Limited Warranty also available.

Visit WincoMfg.com for additional configuration and accessory options.

Cushions available in 5 Sure-Chek Fusion® fabric colors and over 20 healthcare grade vinyl options, visit our website or contact a representative to request swatches.



CONTACT US

To arrange a demonstration or to speak with one of our associates, please feel free to contact us at: **800-237-3377 | WincoMfg.com | 5516 SW 1st Lane, Ocala, FL 34474 | Info@WincoMfg.com**